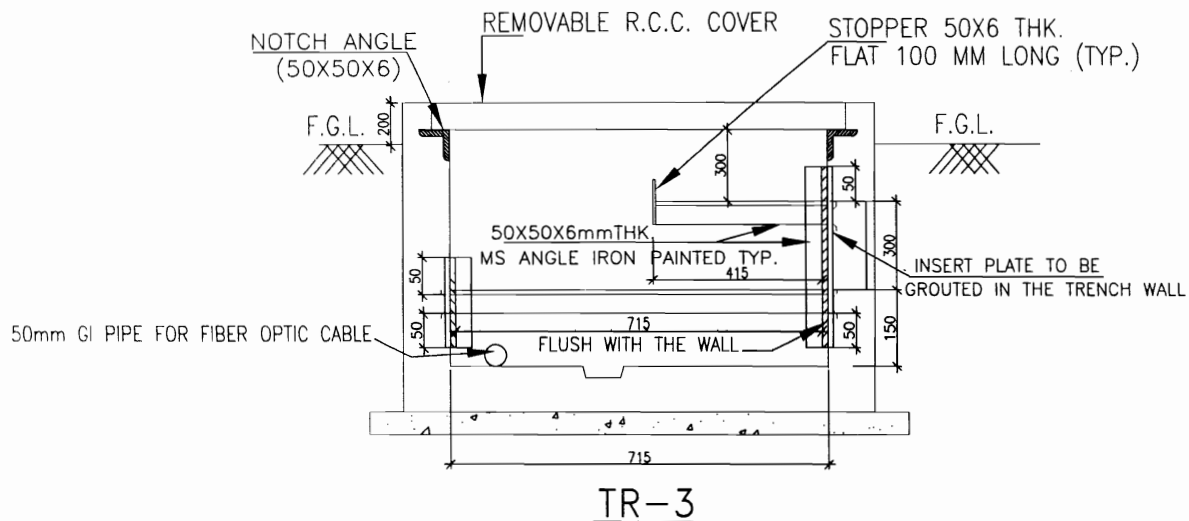
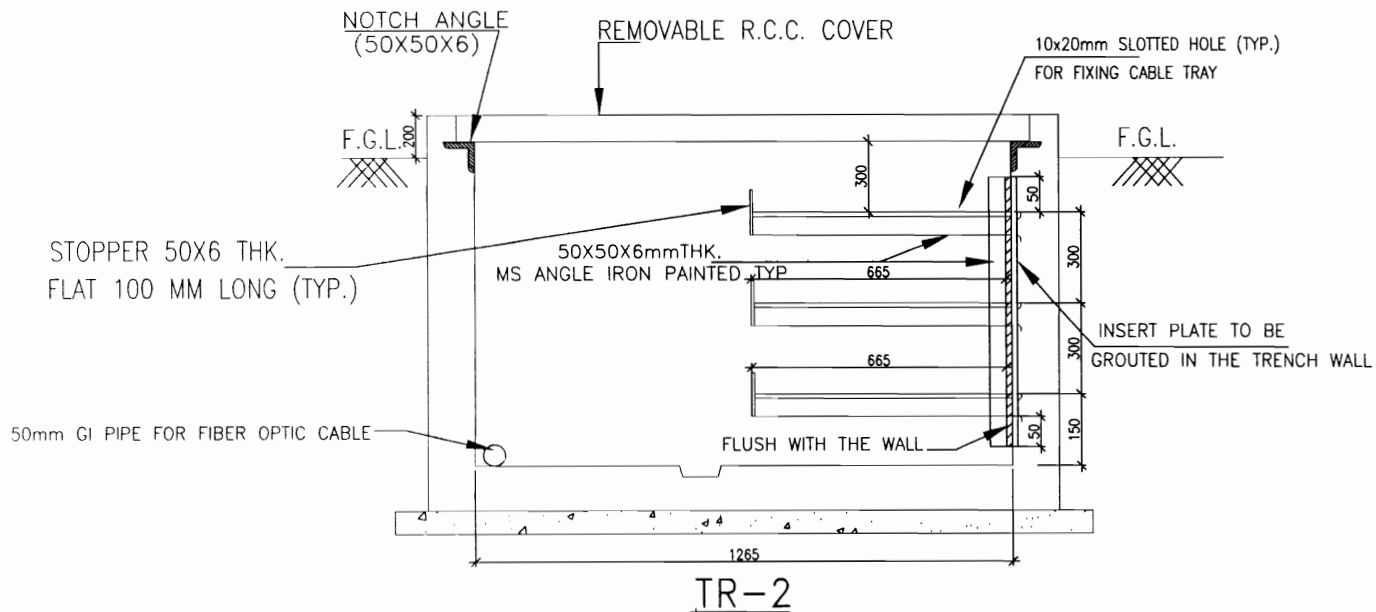
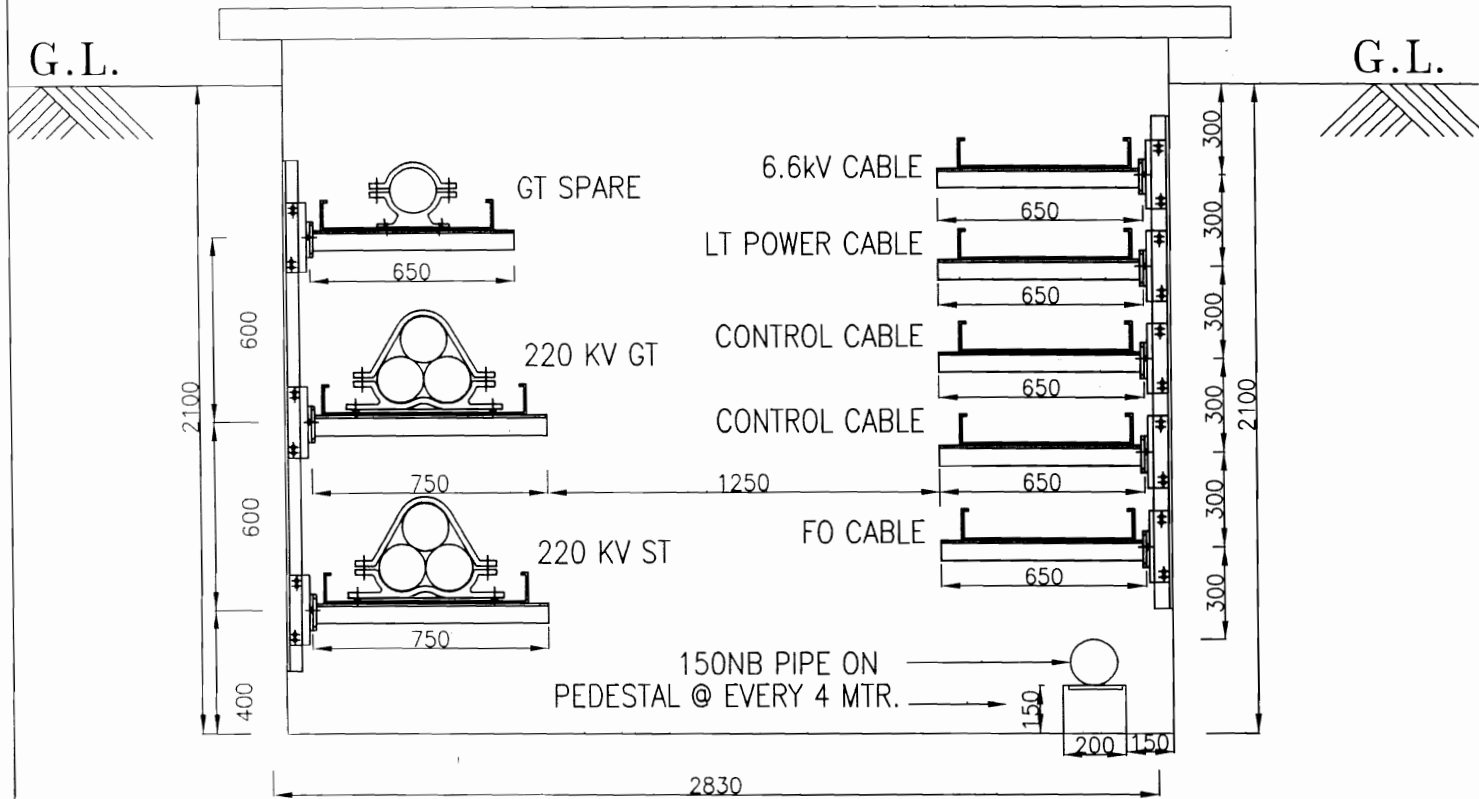


# ANNEXURE-2

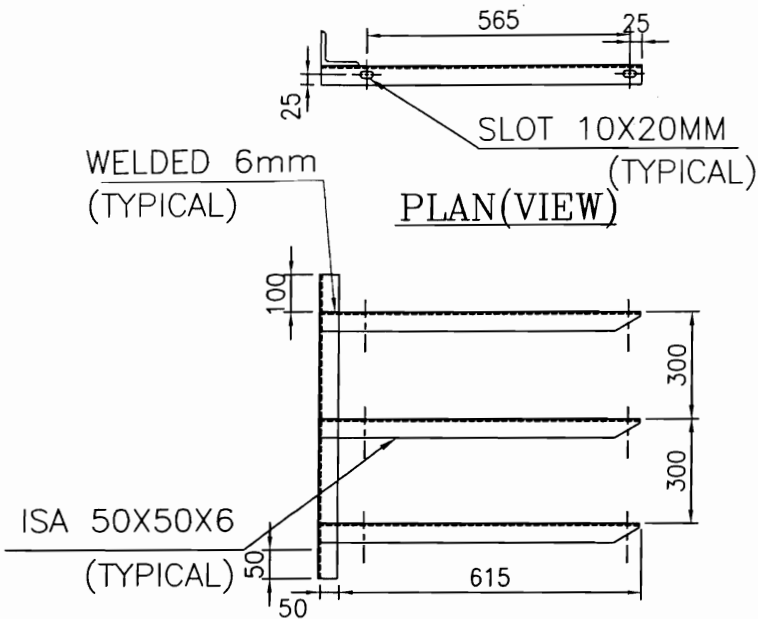




TRESTLE-1

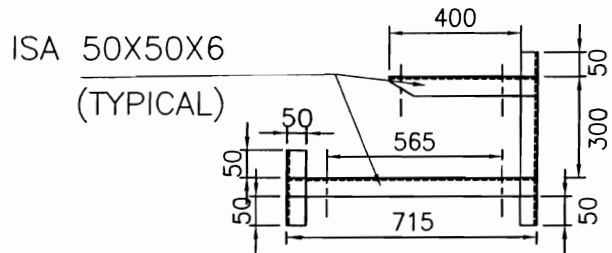
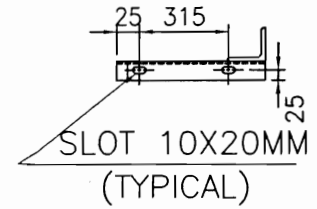
PROJECT-220KV SWITCHYARD DPL-DURGAPUR

# ANNEXURE-2 TYPICAL RACK ARRANGEMENT DETAILS



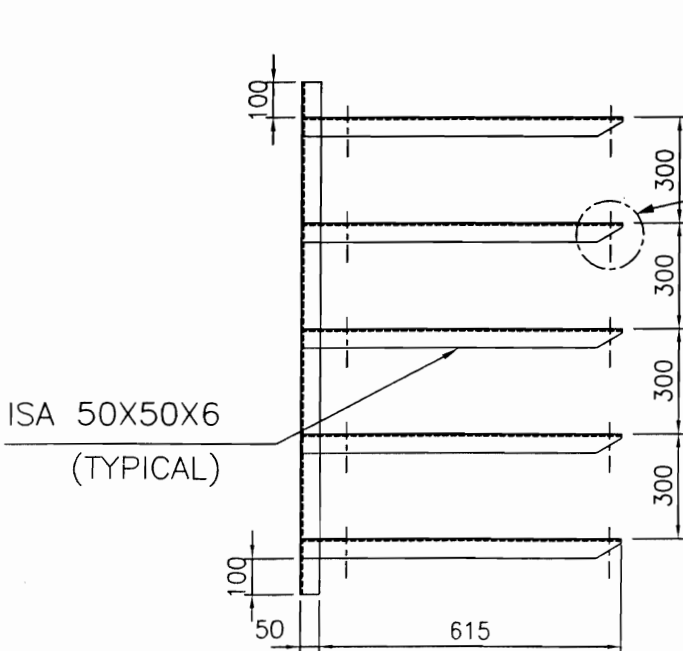
**FIGURE-1**

APPROX.WEIGHT=13Kg



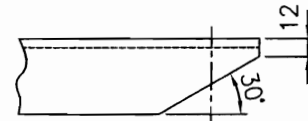
**FIGURE-2**

APPROX.WEIGHT=8Kg



**FIGURE-3**

APPROX.WEIGHT=20Kg

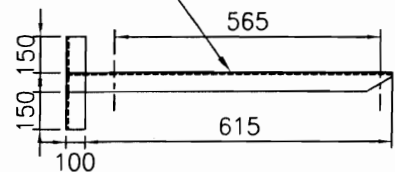


SEE DETAIL A **DETAIL-A**

(TYPICAL)

ISA 100X100X10

(TYPICAL)



**FIGURE-4**

APPROX.WEIGHT=17Kg

NOTE:- WEIGHT OF ZINC COATING SHALL BE 610gm/sq.m